



Masonry Contractors
Commercial Industrial Institutional

J&S MASONRY INC.
PO BOX 497, NORTH
BEND, WA 98045
425-888-0200
www.jandsmasonry.com

LANDER HALL BRICK
SOFFIT SUBMITTAL

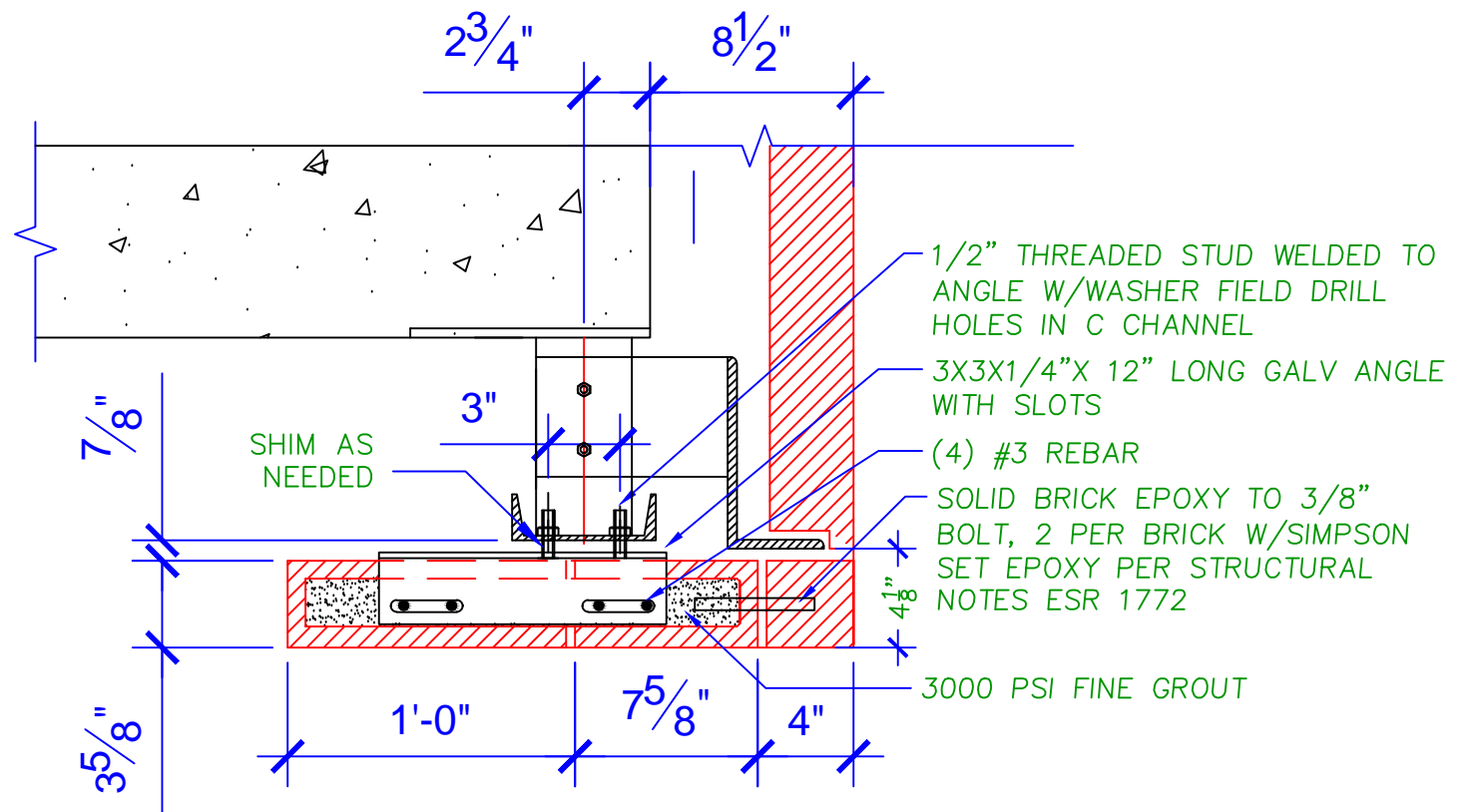
REFERENCE
ARCHITECTURAL
DETAIL A/5.21,
STRUCTURAL DETAIL
22/S3.25 AND SIM

DATE: 2/27/13

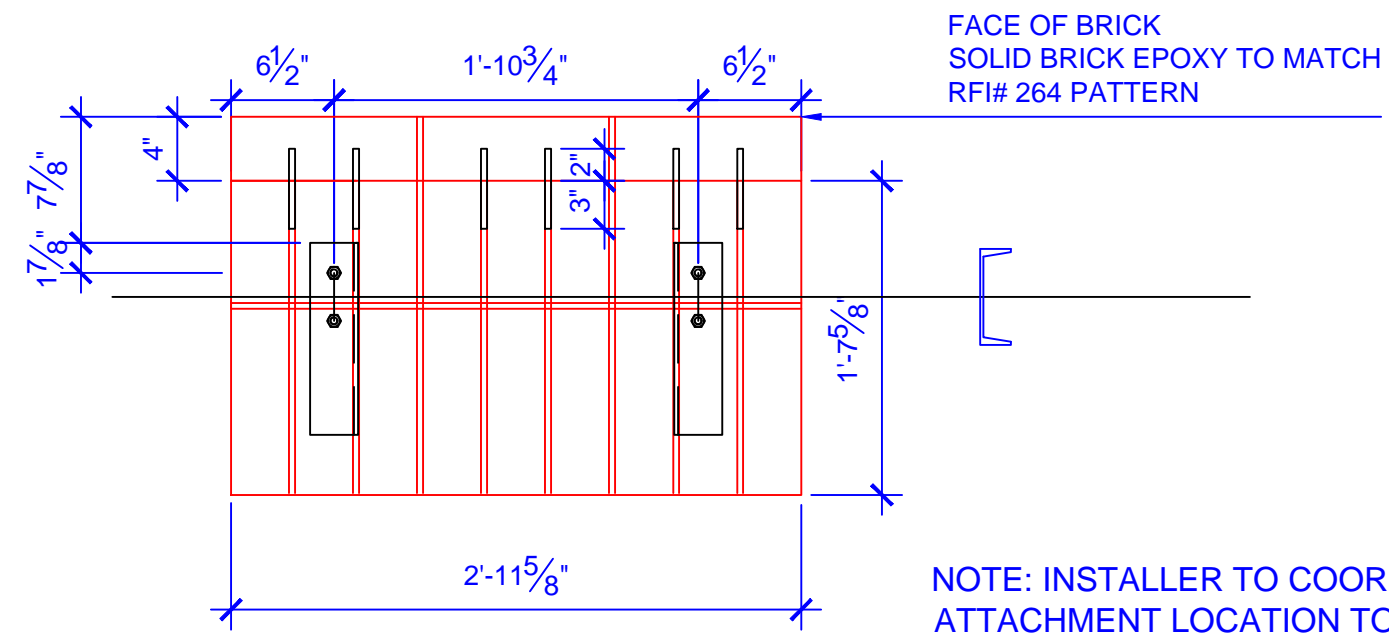
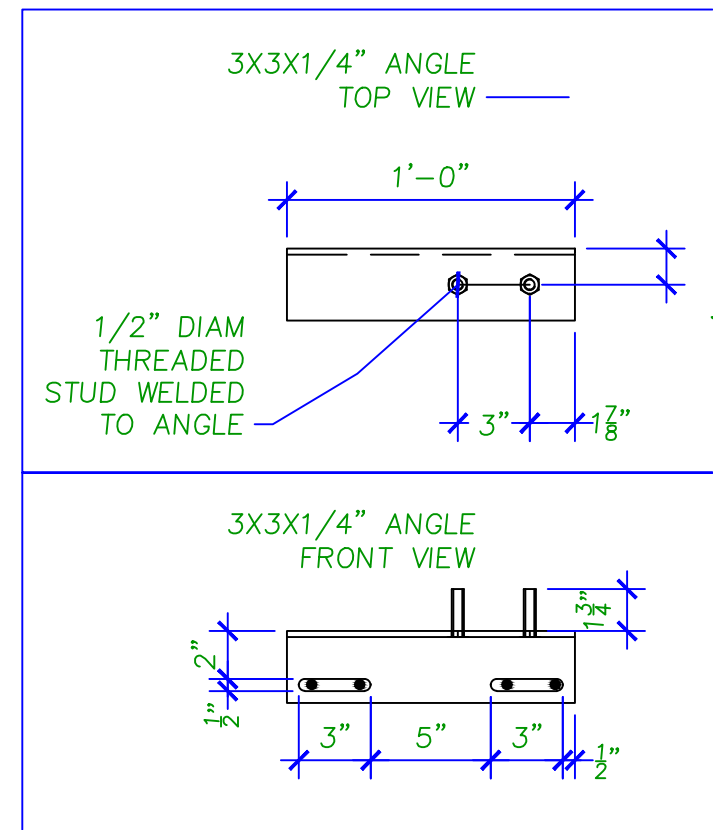
LANDER HALL

L1

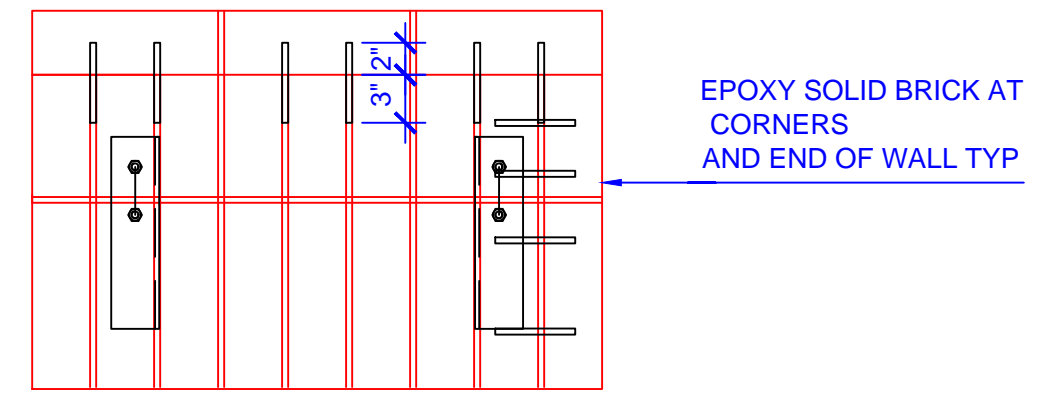
QUANTITY 205 EA RH



1 SECTION BRICK SOFFIT
Scale: 1-1/2":1'



2 PLAN VIEW BOLT LAYOUT
Scale: 1"=1'



3 PLAN VIEW CORNER
Scale: 1"=1'